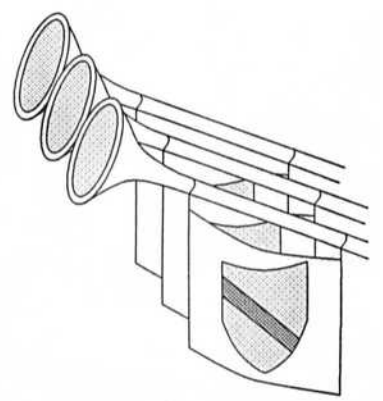


Presenting  
The 14th Annual



**B  
A  
N  
D**

May 1, 1993 8:00 P.M.

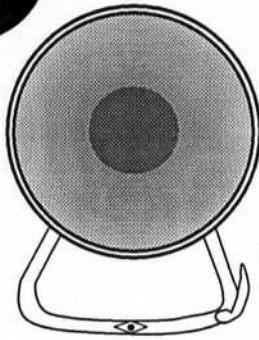
Beckman Auditorium

(Free!)

Featuring:

The Caltech Jazz Bands

The Caltech-Occidental Concert Band



**R  
A  
M  
M  
A**

Guest Soloists:

Mario Guarneri - Trumpet

Janet Ketchum - Flute

Directed by William Bing